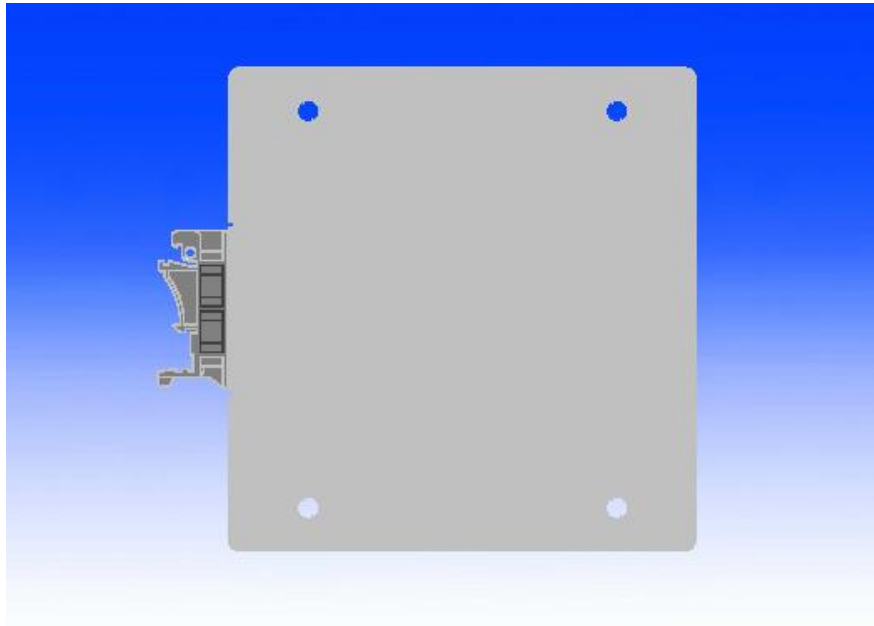


afi

120 Belmont Drive
Somerset, NJ 08873-1204

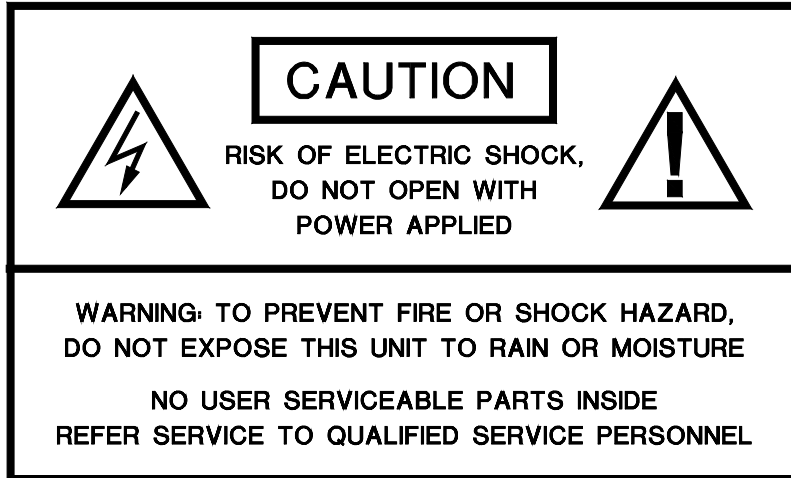
american fibertek

Phone: 732.302.0660 Fax: 732.302.0667



Instruction Manual

DRBK-1
DIN Rail Adapter Bracket



INSTALLATION INSTRUCTIONS

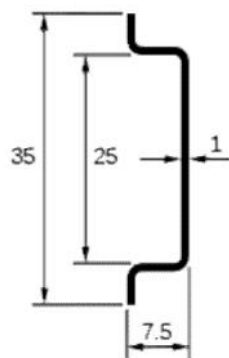
INTRODUCTION

Thank you for purchasing your American Fibertek DRBK-1 DIN Rail Adapter Bracket. Please take a few minutes to read these installation instructions in order to obtain the maximum performance from this product.

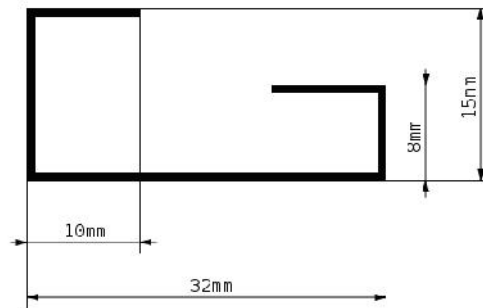
FUNCTIONAL DESCRIPTION

The DRBK-1 provides DIN Rail mounting to a wide variety of American Fibertek fiber optic and network products. The DRBK-1 is sized to accommodate the 4¼" x 4¼" package.

The DRBK-1 is compatible with 35mm Top Hat type rails (EN 50022, BS 5584, DIN 46277-3) and 32mm G-type rail (EN 50035, BS 5825, DIN 46277-1).



35mm Top Hat



32mm G-type

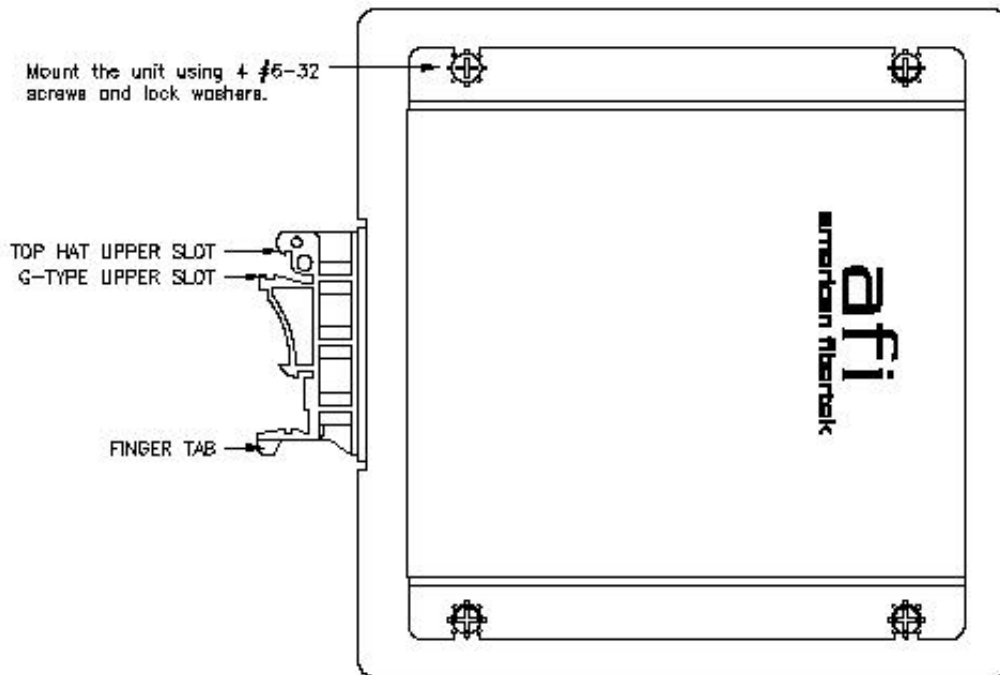
INSTALLATION

THIS INSTALLATION SHOULD BE MADE BY A QUALIFIED SERVICE PERSON AND SHOULD CONFORM TO THE NATIONAL ELECTRICAL CODE, ANSI/NFPA 70 AND LOCAL CODES.

Place the DRBK-1 on a flat surface. Align the unit to be mounted with the four threaded holes on the plate. The unit may be mounted with the connectors facing up or down. It is recommended to face the optical connectors down to reduce the chance of dust or other foreign materials from entering the optical receptacle. Secure the unit with the four #6x32 screws and lock washers provided.

To mount the assembled unit to the rail, hold the DRBK-1 vertically with the unit to the left side. Align the top of the rail with the appropriate slot of the plastic DIN mounting component for the type of rail used. On the upper part of the DIN rail clip there is a downward facing slot for the Top Hat rail and an upward facing slot for the G Rail. Keep the unit tilted upwards to align the upper slot. With slight pressure, keep the clip in the upper slot while tilting the unit downwards until it snaps into place on the rail.

To remove the unit, use your index finger to apply slight downward pressure on the bottom tab of the DIN clip. Tilt the DRBK-1 upwards and lift away from the rail. If you can not fit your finger behind the unit, you may apply firm upwards pressure on the assembly and tilt the unit downwards to clear the top slot of the rail and bring the unit away from the rail.



LIFETIME WARRANTY INFORMATION

American Fibertek, Inc warrants that at the time of delivery the products delivered will be free of defects in materials and workmanship. Defective products will be repaired or replaced at the exclusive option of American Fibertek. A Return Material Authorization (RMA) number is required to send the products back in case of return. All returns must be shipped prepaid. This warranty is void if the products have been tampered with. This warranty shall be construed in accordance with New Jersey law and the courts of New Jersey shall have exclusive jurisdiction over this contract. **EXCEPT FOR THE FOREGOING WARRANTY, THERE IS NO WARRANTY OF MERCHANTABILITY OR FITNESS FOR A PARTICULAR PURPOSE OR OTHERWISE, EXPRESSED OR IMPLIED, WHICH EXTENDS BEYOND THE WARRANTY SET FORTH IN THIS AGREEMENT.** In any event, American Fibertek will not be responsible or liable for contingent, consequential, or incidental damages. No agreement or understanding, expressed or implied, except as set forth in this warranty, will be binding upon American Fibertek unless in writing, signed by a duly authorized officer of American Fibertek.

SERVICE INFORMATION

There are no user serviceable parts inside the unit.

In the event that service is required to this unit, please direct all inquiries to:

American Fibertek, Inc.
120 Belmont Drive
Somerset, NJ 08873

Phone: (877) 234-7200
Phone: (732) 302-0660
FAX (732) 302-0667

E-mail: techinfo@americanfibertek.com