



PS-12V-30W

Power Supply 12 Volts DC, 30 Watts, DIN Mount, Extended Temperature Range

SPECIFICATIONS:

Input:

Input Voltage Range.....85-264 VAC
Input Current.....0.56A @115VAC, 0.33A @ 230VAC
Input Frequency.....47-63 Hz
Connections.....Screw Down Terminal Block

Output:

Output Voltage.....12 Vdc
Output Current.....2.5 A max
Output Power.....0 to 30 Watts
Ripple & Noise.....50 mVpp
Short Circuit Protection.....Power Limited
Over Voltage Protection.....Clamp Protected
Overload Protection.....Power Limited
Connections.....Screw Down Terminal Block

Environmental:

Operating Temperature..... -40°C to 70°C
-Start Up..... -35°C
-Derate from 60 °C.. -0.75 W/ °C
Cooling.....Convection with 25mm free space all sides
Operating Humidity.....20-95% (non-condensing)
Storage Temperature..... -40°C to 85°C
Shock.....15 g, 11 ms, X, Y & Z axis, 3 shocks/axis
Vibration.....2 g, 10 Hz to 500 Hz, along X, Y & Z axis,
60 mins/axis, mounted on rail
MTBF.....800 khrs

EMC & Safety:

Emissions
Harmonic Currents
Voltage Flicker
ESD Immunity
Radiated Immunity
EFT/Burst
Surge
Conducted Immunity
Magnetic Field
Dips & Interruptions
Safety Approvals

- EN55022
- EN61000-3-2
- EN61000-3-3
- EN61000-4-2
- EN61000-4-3
- EN61000-4-4
- EN61000-4-5
- EN61000-4-6
- EN61000-4-8
- EN61000-4-11
- EN60950-1
- UL508
- UL1310

General:

DIN Rail:.....Compatible with TS35/7.5 or TS35/15

Ordering information:

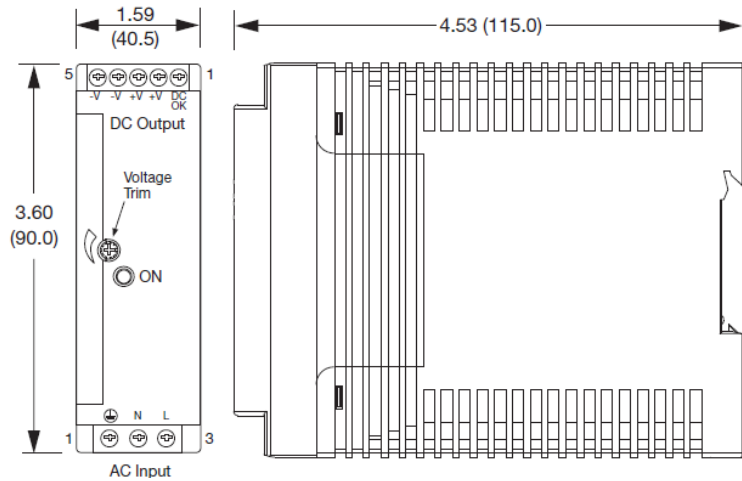
PS-12V-30W

Compatible AFI Products:

All products which use a 12Vdc power supply



The American Fibertek PS-1248 is a DIN rail mounted 12Vdc, 30W power supply capable of operating over the extended temperature range of -40°C to +70°C. Multiple AFI products operating at 12Vdc may be powered from this supply up to a maximum load of 30 watts.



All dimensions in inches (mm).